



ABOUT US

The three core principles of GCC are to provide good quality, credible and considerate products and services to our customers since its establishment. GCC aims to develop every product from users' perspective to fit customers' needs and serve warm user experience via hardware.

GCC has dedicated huge efforts to glass hardware and system development since 1981. GCC provides a variety of great solutions for users to create wide, fresh, and comfortable spaces. The product ranges cover from houses, office buildings, restaurants, hotels to department stores, and GCC always supplies brilliant solutions for any space with great user experiences.

In terms of installation, GCC leaves out the complicated and tedious installation procedures and offers more user-friendly and operability-conveniently products. It not only substantially shortens the installation time but also enhances the working efficiency.

To provide great living experiences to customers, GCC has its QA/QC team to oversee the product with high-standard, and never compromises our product quality, safety and endurances due to market price competition. GCC develops its unique designs and holds patents in many countries. Quality assurance is always the top priority for GCC and we hope through our efforts we can see applications for glass hardware and systems in numerous spaces.

Looking forward, GCC will continue to devote its efforts to developing more user-friendly systems to offer more effortless solutions, and most importantly to provide better living experiences to users.



DGS

Double Glazed Stacking And Sliding Wall System



Agent/ Distributor



GOOD CREDIT CORPORATION

No.13, Longmen Rd., Situn Dist., Taichung 40757, Taiwan

E-mail:gcctw@ms7.hinet.net

TEL: 886-4-22583755 (Hunting Line)

FAX: 886-4-22583753

<http://www.gccintw.com.tw>

© Copyright 2017.07 Good Credit Corporation



Concept

The system was inspired by the pine at the Northern Europe, perfectly straight and slim profiles make an elegant addition to your room partition.

With GCC new patented frame design, allow the installers saving much preparation time than before.

This is a perfect system to provide a good view and against the strong wind without a floor guide.

Features and advantages

- New GCC innovative patented design to save your time to assemble the frame.
- Suitable for glass thickness less than 25mm, including the double glazed glass.
- Noise and heat insulation, designed for indoor and outdoor application.
- With this system you don't need to install a bottom track or guide, as it requires minimal effort to move the panel via top track only.
- Recommended to use 12mm toughened glass with this system for the strong wind area.
- New bottom threshold **TH-65** is available to stop the water with the bottom seals.

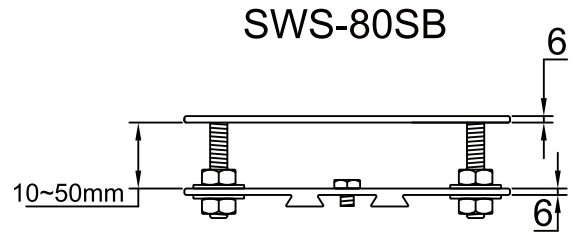
Specification

- Max. height per panel : 4000mm
- Max. width per panel : 1250mm
- Max. weight per panel : 150kg
- Suitable for glass thickness less than 25mm

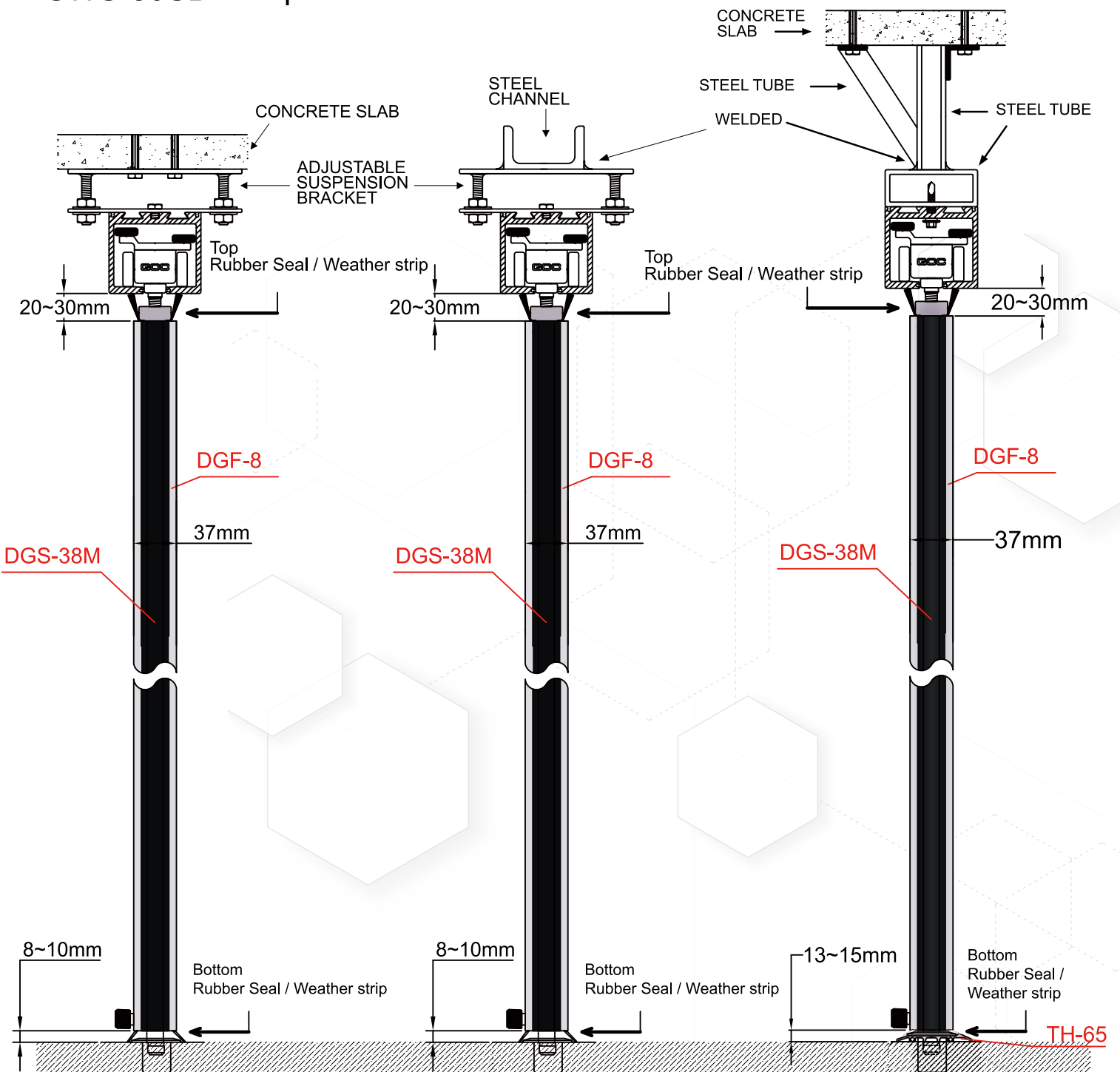
Applications

- Balcony
- Shop Front
- Convention Center
- Car Showroom
- Commercial And Domestic Room Division

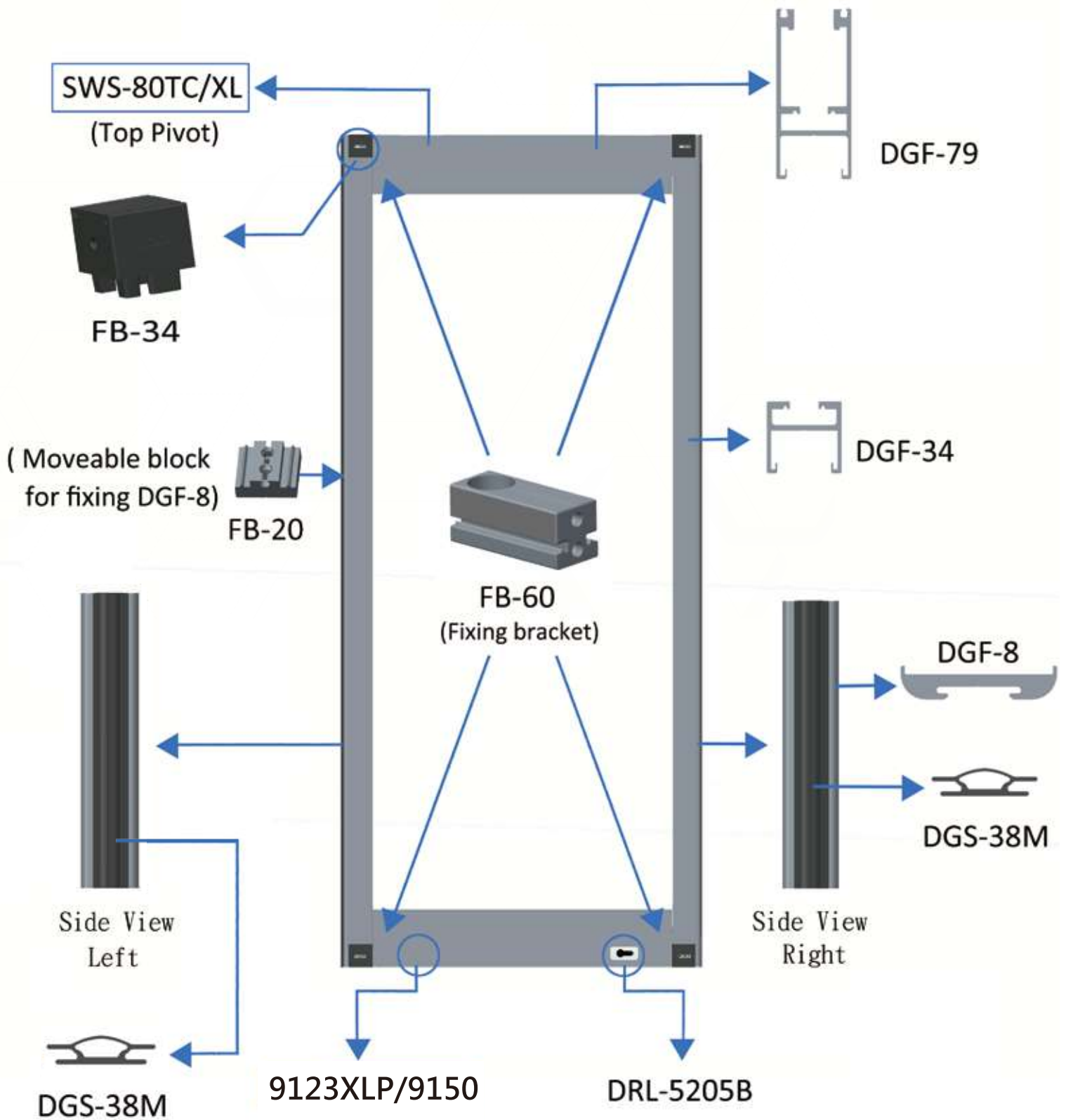
Top Steel work instruction



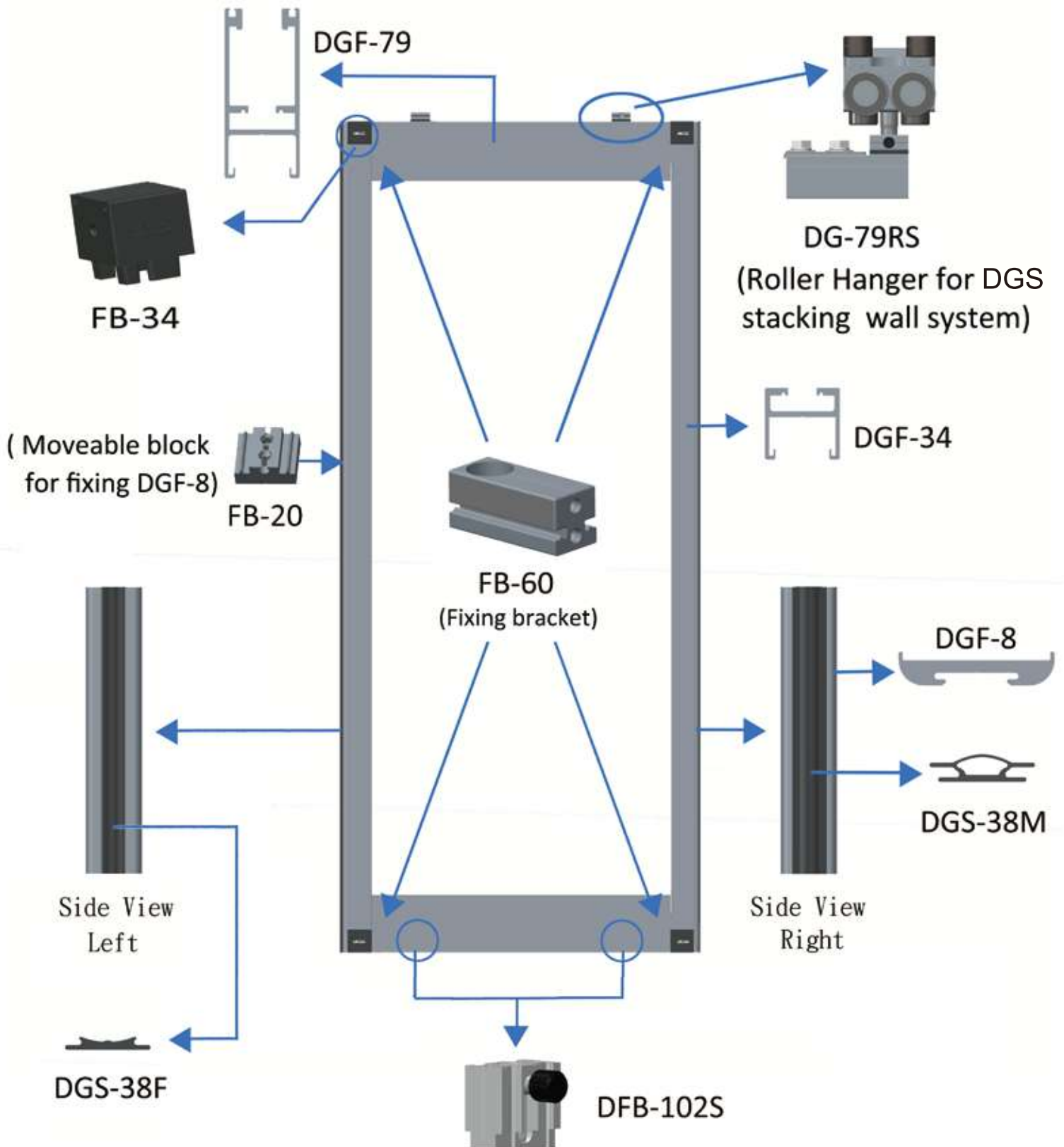
SWS-80SB Suspension Bracket



Configuration Pivot Panel

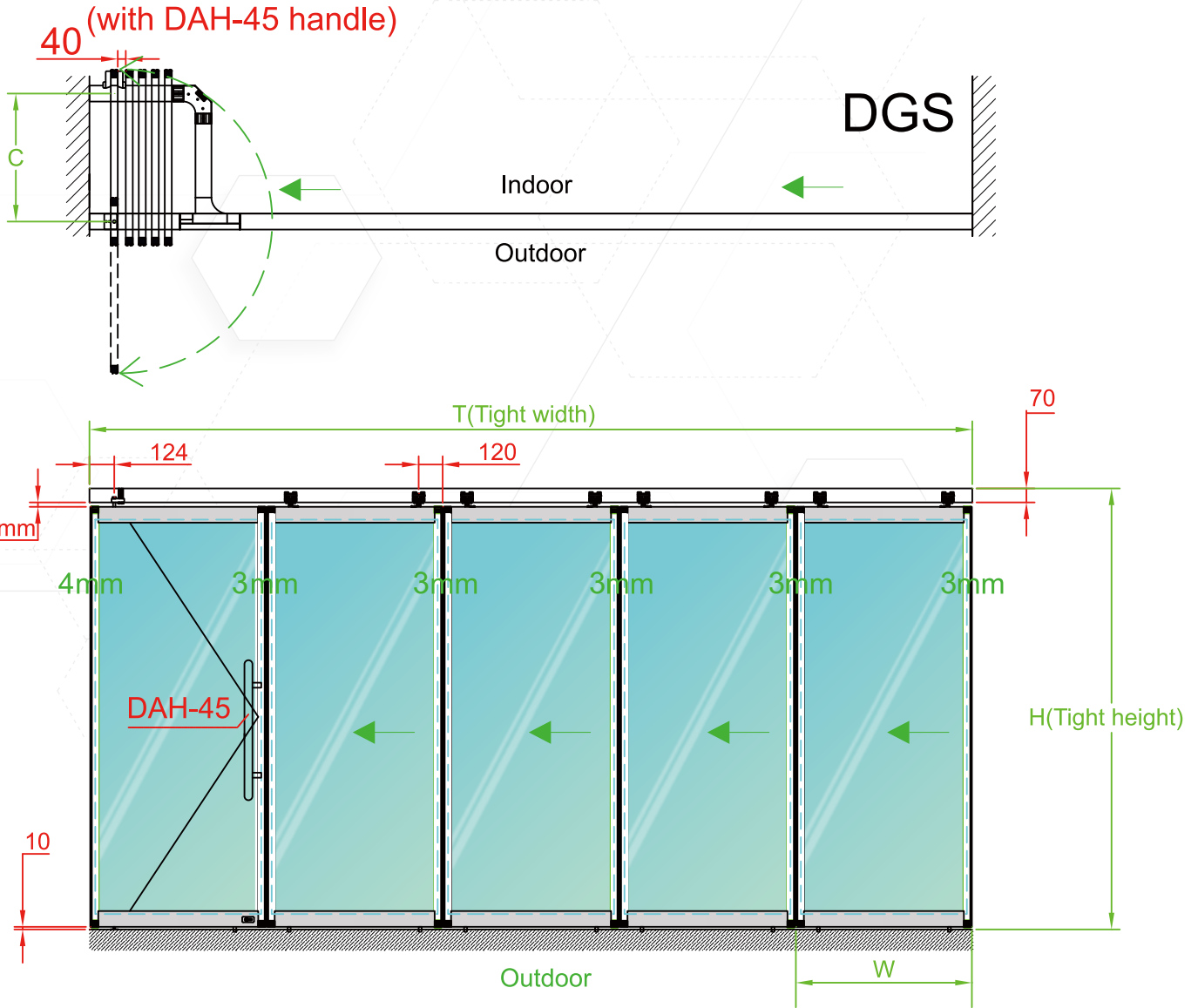


Configuration Sliding Panel



Please find above accessories details at page 9 and 10.

Frame preparation and panel's size calculation



T: Tight width

H: Tight height (from floor to ceiling or fixed steel)

N: Totall panel's quantity

$W = \{T - (4mm + (3mm \times N))\} / N$ (W: Panel width)

C= W-240mm

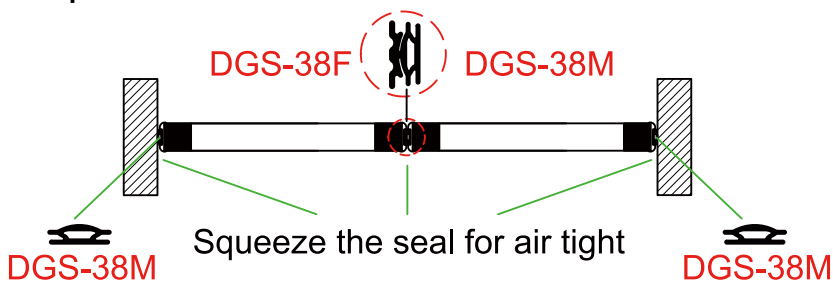
Aluminum profile:

DGF-79 Length = W-80mm

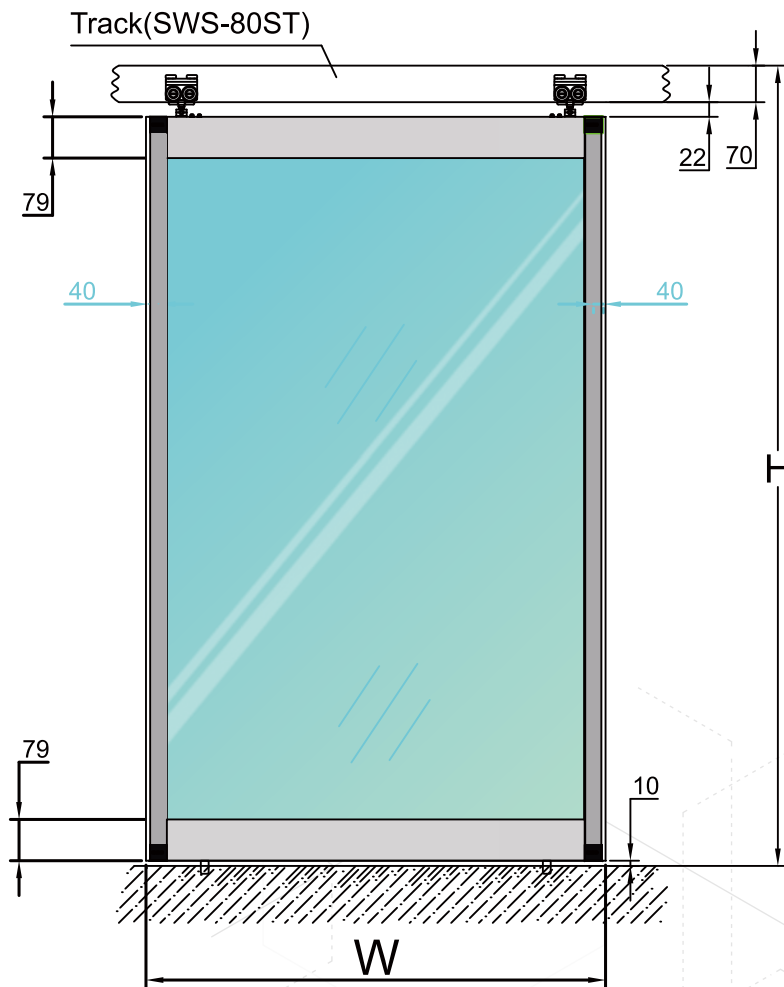
DGF-34 Length = H-70mm-22mm-61mm-10mm

DGF-8 Length = H-70mm-22mm-10mm

Top View

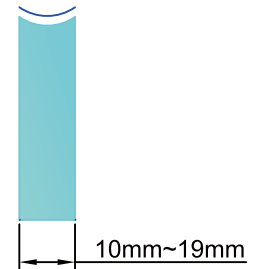


Glass size calculation of pivot panel and sliding panel

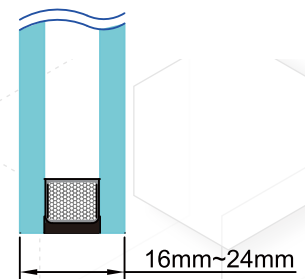


Suitable for :

Tempered glass / laminated glass



Double glazed glass



Setting block thickness = N mm

Glass height = $H - 70\text{mm} - 22\text{mm} - 10\text{mm} - 120\text{mm} - (N \text{ mm} \times 2)$
Track height Top gap Bottom gap

Glass width = $W - 42\text{mm} - (N \text{ mm} \times 2)$

Example 1 (with setting block)

Setting block : 2mm

Glass height = $H - 70\text{mm} - 22\text{mm} - 10\text{mm} - 120\text{mm} - (2\text{mm} \times 2)$

Glass width = $W - 42\text{mm} - (2\text{mm} \times 2)$

Example 2 (without setting block)

Glass height = $H - 70\text{mm} - 22\text{mm} - 10\text{mm} - 120\text{mm}$

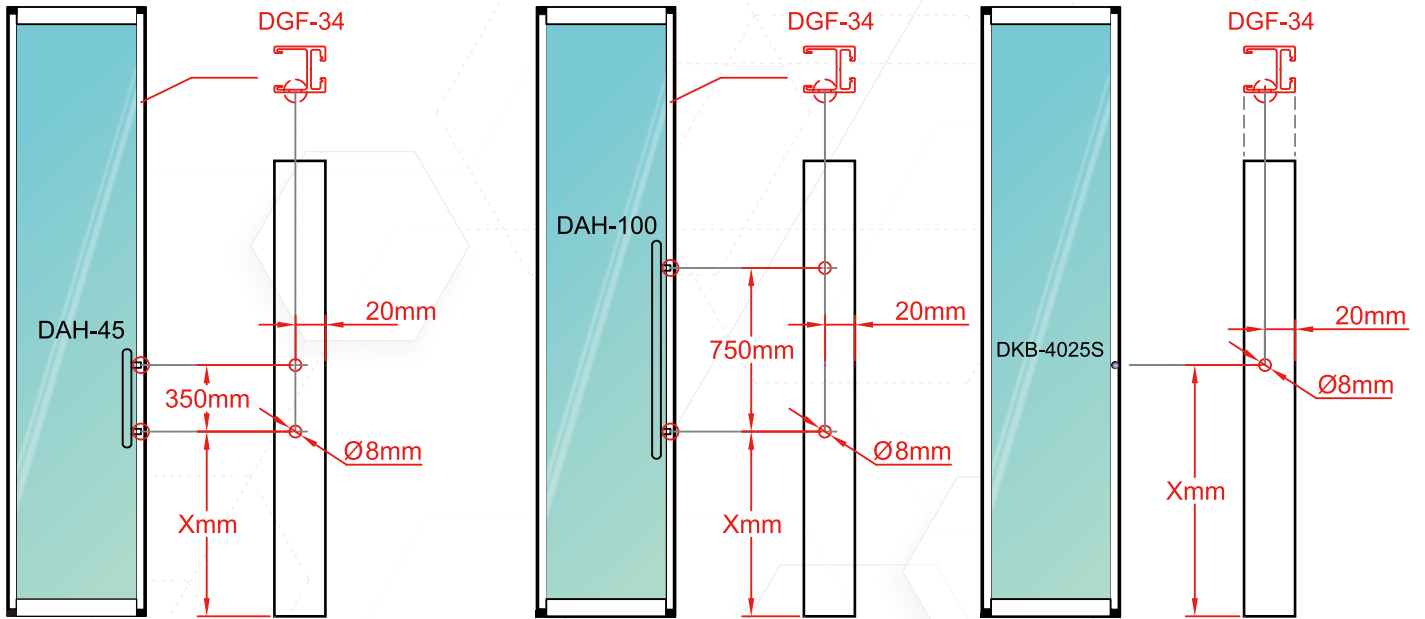
Glass width = $W - 42\text{mm}$

"Drilling holes" on aluminum profiles

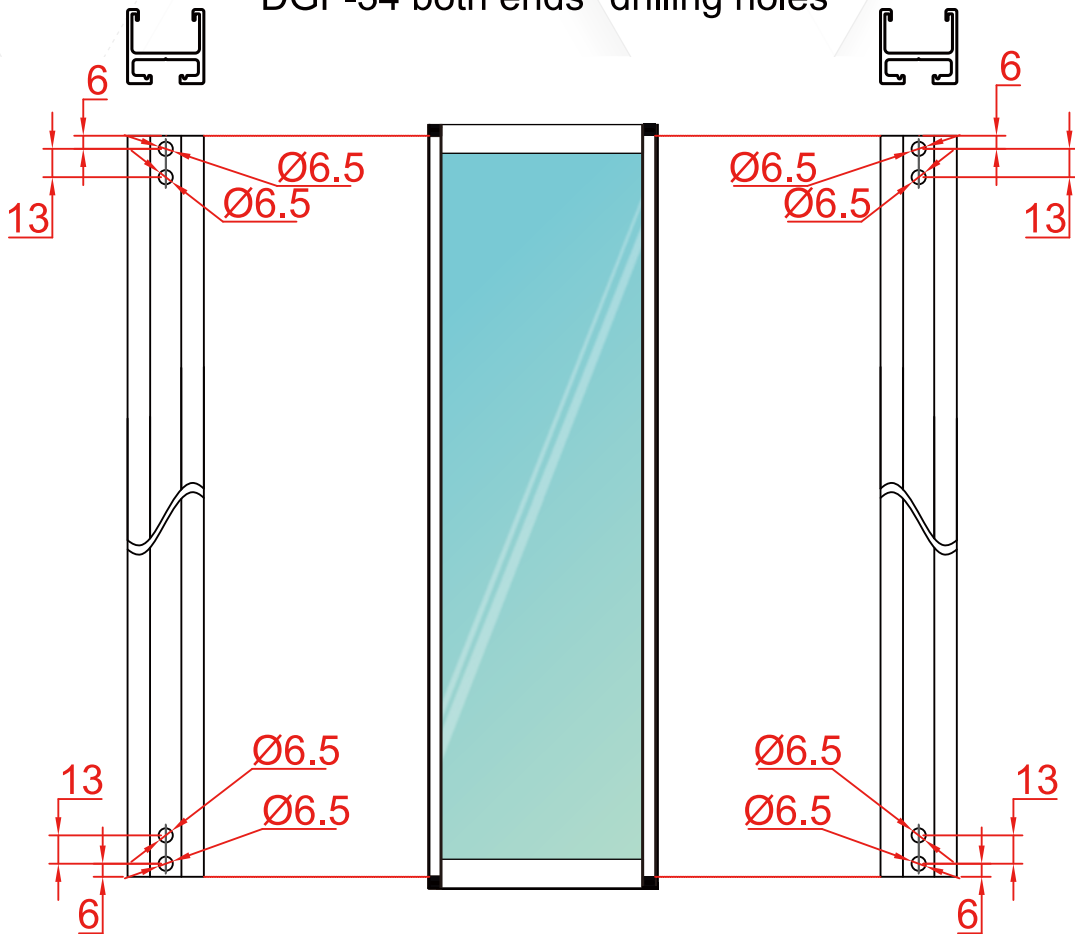
DAH-45

DAH-100

DKB-4025S

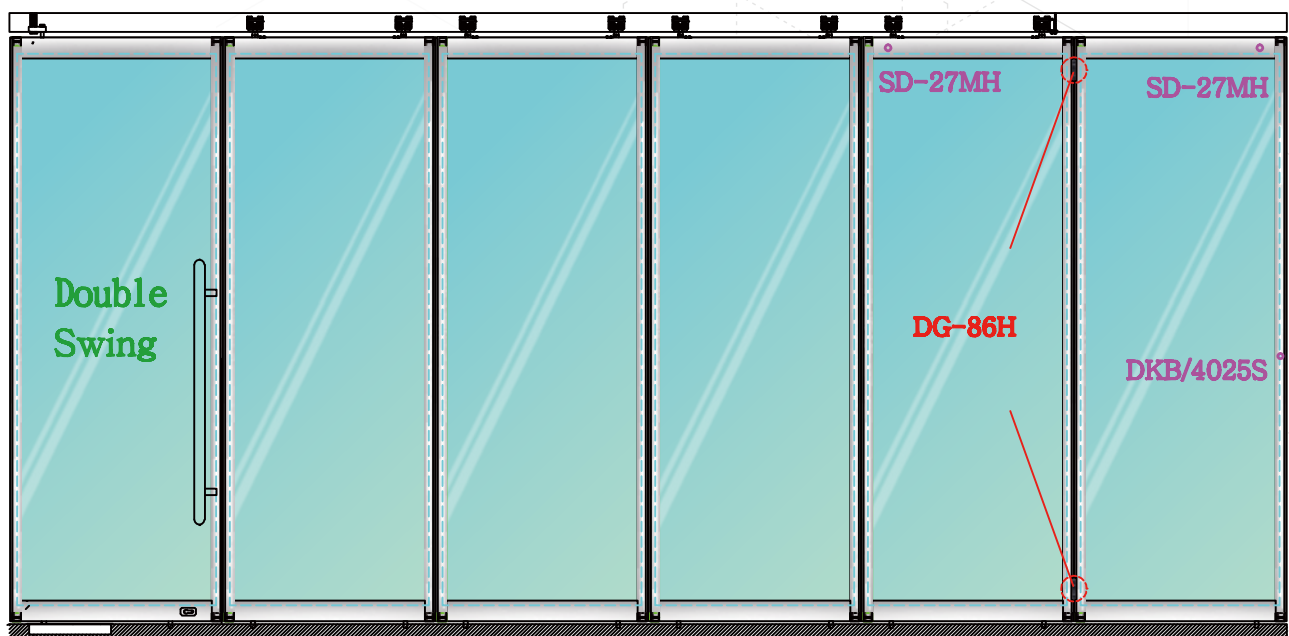
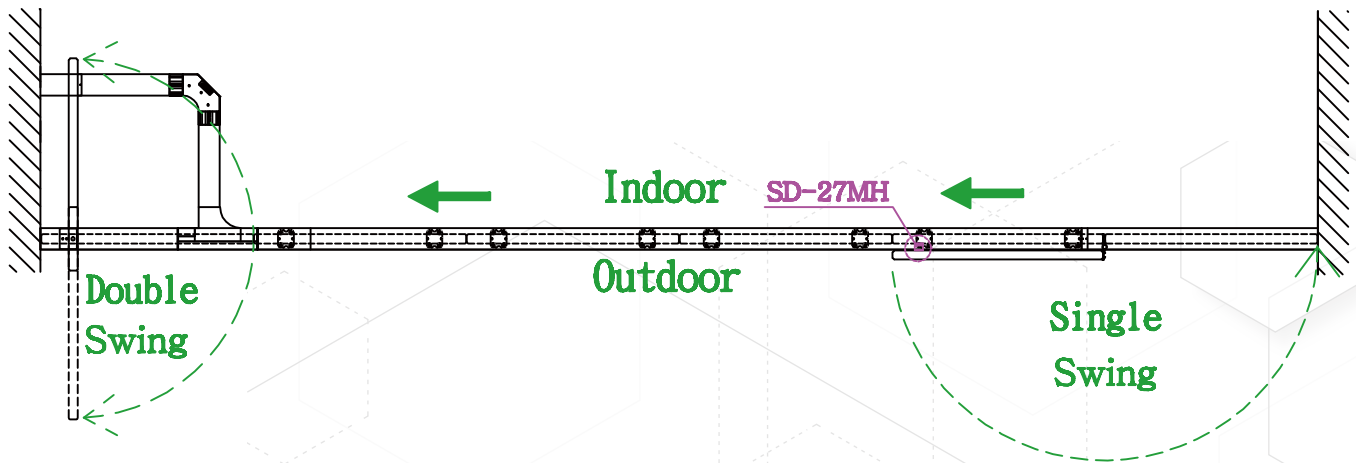
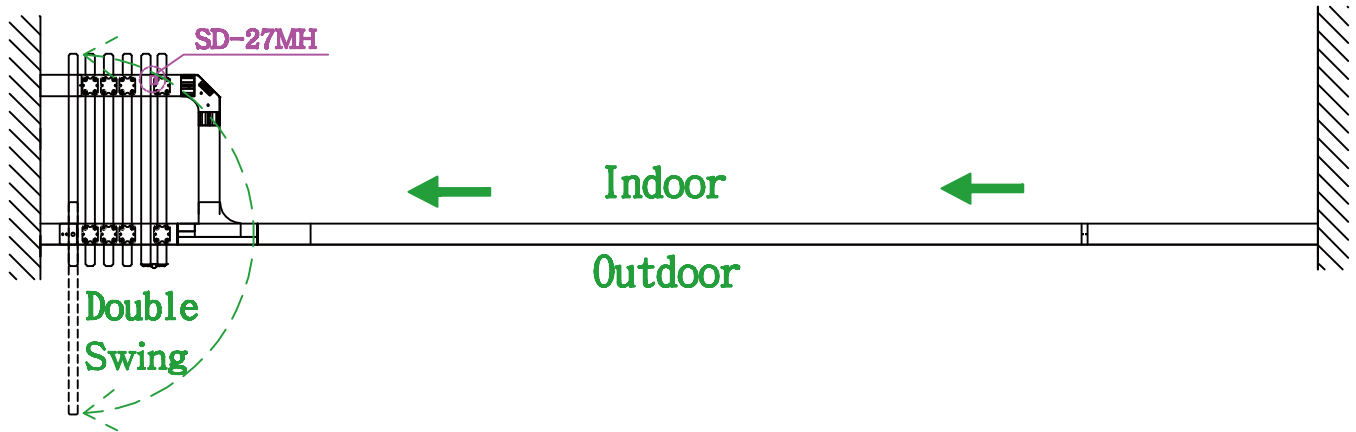


DGF-34 both ends "drilling holes"



Please contact GCC for bottom locks, bottom flush bolts notches

How to make an extra access door with DGS system?



Outdoor

- The max. panel width of the extra free swing door is 850mm.

Accessories Of DGS System



DGF-79

Top and bottom door rail for DGS and DGF system.



DGF-34

Both sides profile for DGS and DGF system.



DGF-8

End cap profile for DGF34.



FB-60

Corner fixing block.



FB-34

End cap for DGF-34 top and bottom in black color or gray color (optional by order).



FB-20

Moving block for DGF-8.



SD-27MH Magnet Holder
Designed for free swing panel.



SWS-80TC/XLP

Top center pivot / lower part for DGS and DGF systems.



DG-79RS

Roller hanger for DGS system.



DRL-5025B

Fixed to DGF-79 bottom rail with 9125DR Europrofile cylinder to lock to the floor.



9125DR

Europrofile cylinder
Designed for GCC Door Rail system, fixing to DRL-5025B.



9123XLP Door Strap
Top and bottom door rail
for DGS / DGF system.



DFB-102S Side Flush Bolt
Fixed to DGF-79 bottom rail
for locking to the floor with side knob.



9147/DR Floor Socket
Fixed to floor for DFB-102S
and DRL-5025B.



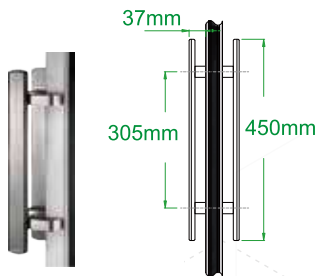
9115 Bottom Free Pivot
SUS304 Floor pivot with bearing.



9150 Adjustable Free Pivot
Fixed to floor with a special arm
for the pivot panel.



TH-65 Bottom threshold
Special wheel chair friendly designed
bottom profile to stop water and dust.



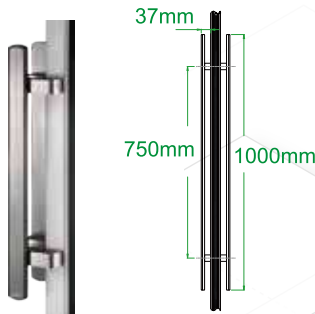
DAH-45 Door Handle
Designed for DGS and DGF system.



DKB-4025S Door Knob
Designed for DGS and DGF system.



SWS-80EST End Stopper
For DGS and DGF system.



DAH-100 Door Handle
Designed for DGS and DGF system.



Weather Strip
Fix to DG-79 door rail to keep
the dust out.

SQ 50 (25mm Brush)
SQ 50S(10mm Brush)
150 meters /per roll

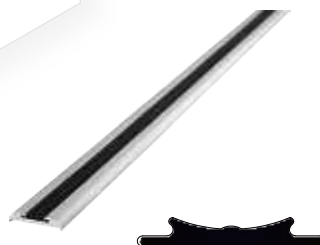


Rubber Strip
Fix to DG-79 door rail to keep
the dust out and the air-condition in.

RS-1050(10mm Rubber)
RS-1550(15mm Rubber)
RS-2050(20mm Rubber)
RS-2550(25mm Rubber)
50 meters/per roll
Color:Black or Gray



DG-38M
Male rubber seal for DGF-8.



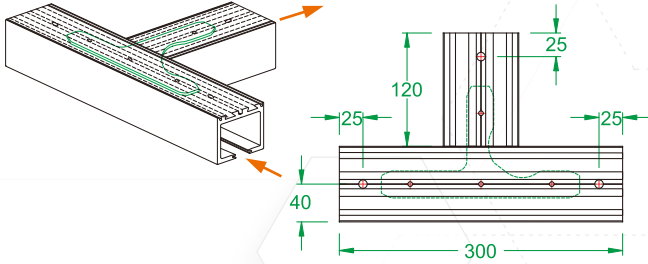
DG-38F
Female rubber seal for DGF-8.



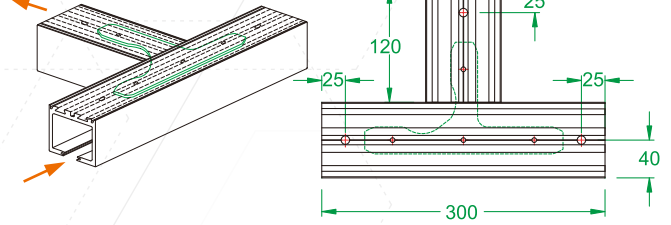
SP-02/SP-03
Adhesive spacer thickness
2mm/3mm.

Typical Junctions T type 90°/110°/135°

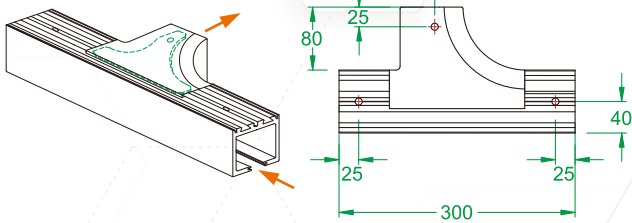
SWS-80T(L) 90°



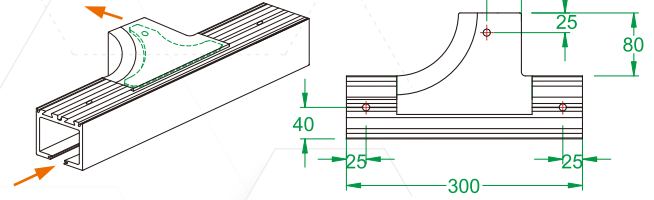
SWS-80T(R) 90°



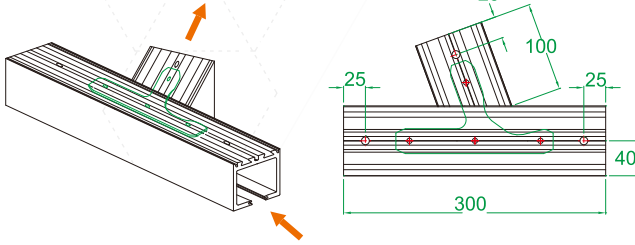
SWS-80RT(L) 90°



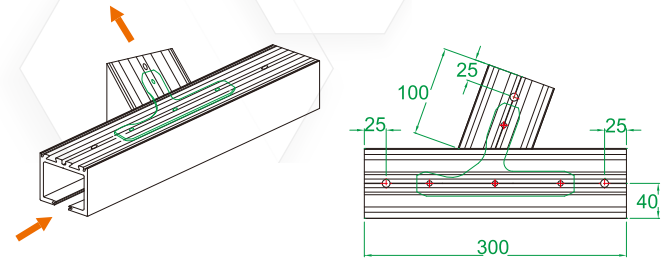
SWS-80RT(R) 90°



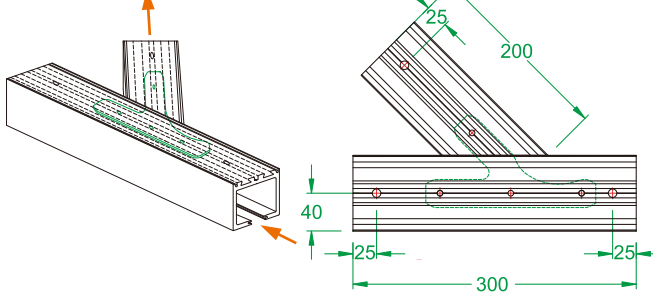
SWS-80T(L) 110°



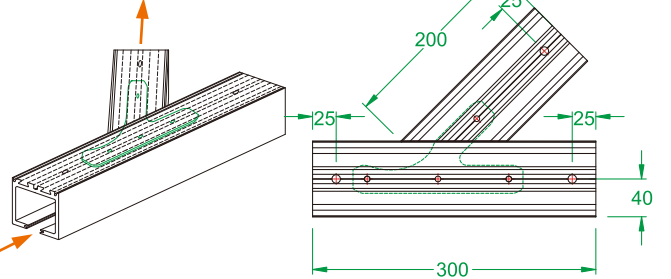
SWS-80T(R) 110°



SWS-80T(L) 135°

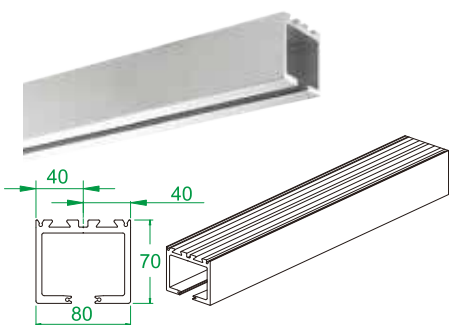


SWS-80T(R) 135°



SWS-80ST Sliding Track

- Standard length in stock 3 meters.



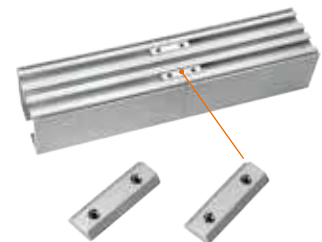
SWS-80CNP Track Connecting Pin

- For connecting both sliding tracks to level & straight.



SWS-80CNB Track Connecting Bar

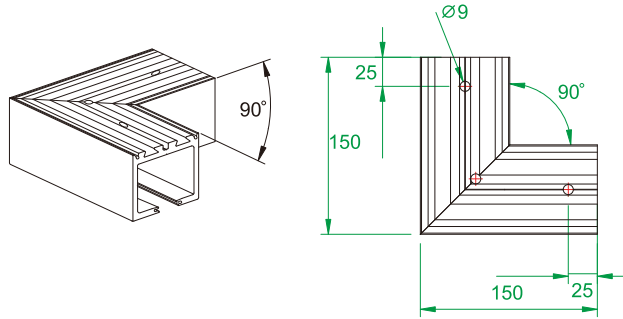
- For connecting both sliding tracks to level & straight.



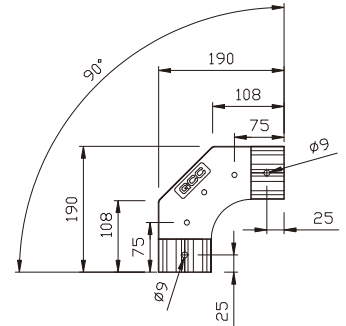
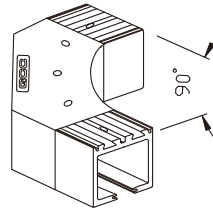
Typical Junctions

L type 90°/95°/110°/135°

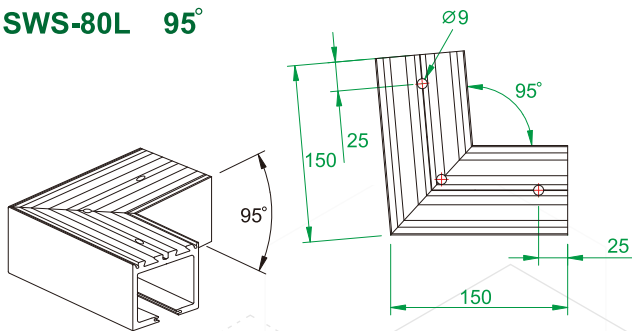
SWS-80L 90°



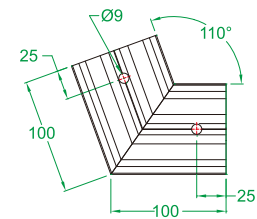
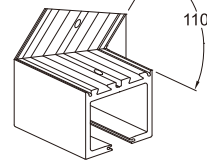
SWS-80RCL 90°



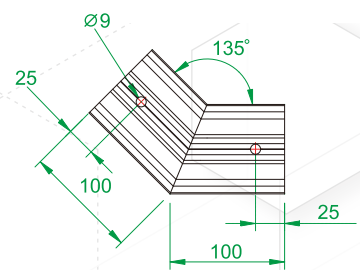
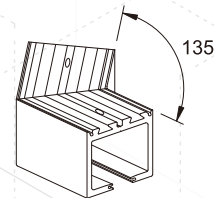
SWS-80L 95°



SWS-80L 110°



SWS-80L 135°



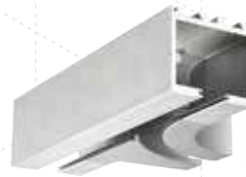
SWS-80T(L) 90°



SWS-80T(R) 90°



SWS-80RT(L) 90°



SWS-80RT(R) 90°



SWS-80T(L) 110°



SWS-80T(R) 110°



SWS-80T(L) 135°



SWS-80T(R) 135°



SWS-80L 90°



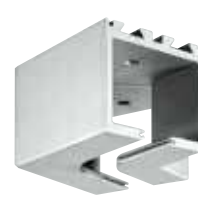
SWS-80RCL 90°



SWS-80L 95°



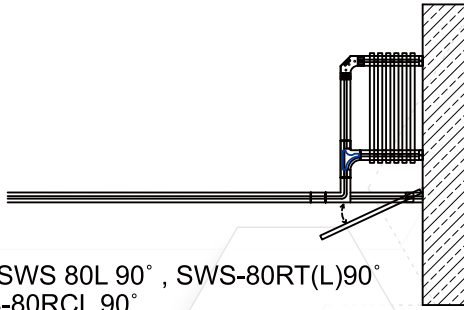
SWS-80L 110°



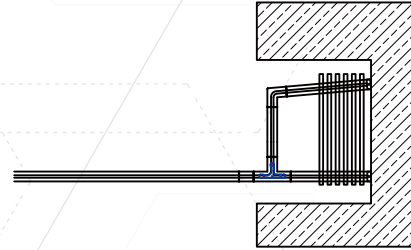
SWS-80L 135°



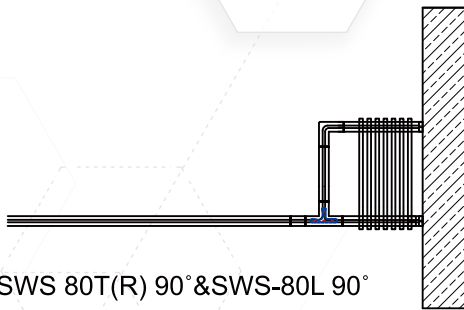
Typical Stacking Tracks for Panels



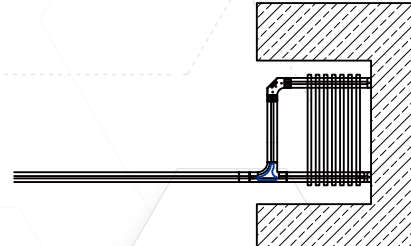
Use SWS 80L 90° , SWS-80RT(L)90°
SWS-80RCL 90°



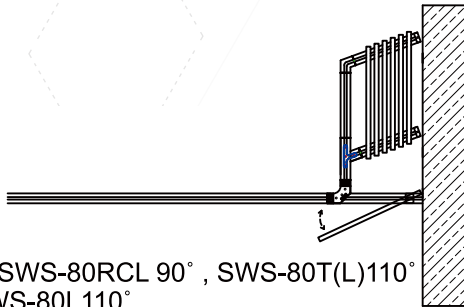
Use SWS 80T(R) 90° & SWS-80L 95°



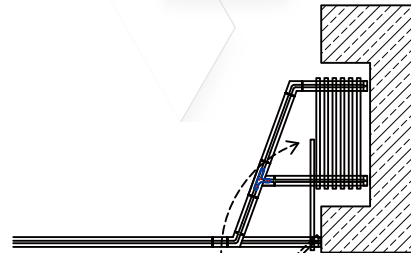
Use SWS 80T(R) 90° & SWS-80L 90°



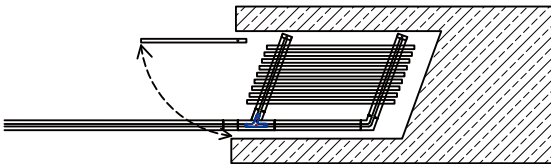
Use SWS 80RT(R) 90° & SWS-80RCL 90°



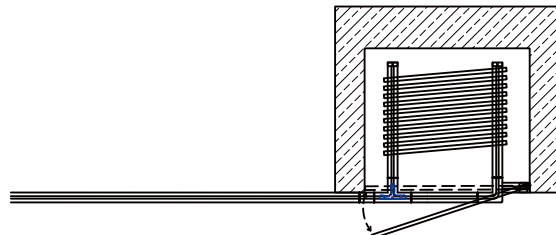
Use SWS-80RCL 90° , SWS-80T(L)110°
& SWS-80L110°



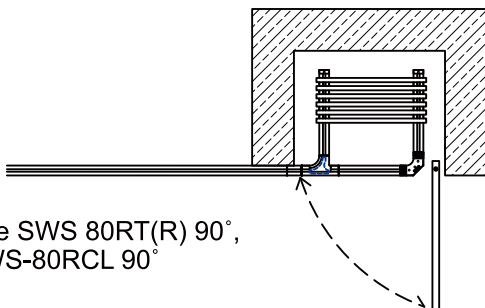
Use SWS-80L 110°
& SWS-80T(L) 110°



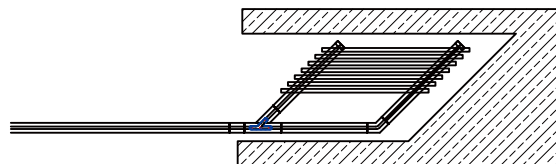
Use SWS 80T(R) 110° , SWS-80L 110°



Use SWS 80RT(R) 90° , SWS-80L 90°



Use SWS 80RT(R) 90° ,
SWS-80RCL 90°



Use SWS 80T(R) 135° , SWS-80L 135°

Worldwide projects

